

# 7' MEGAPOD KIT WITH DOUBLE-PULLEY HEAD

The ARRESTA® 7' Megapod With Double-Pulley Head is made from Aluminum, is extremely lightweight and portable, and has two (2) auxiliary eye-bolts for easy overhead anchorage. The height adjustment of 4.3' - 7' can be achieved by sliding telescope legs. A double-pulley system is permanently incorporated in the cast aluminum head. Supplied with storage bag.

**DESIGN SPECIFICATIONS:**

- Adjustable height from 50" to 88" from ground level
- Two pulley system provided to pass the wire rope of the rescue winch mounted on one leg and personnel winch on the other leg simultaneously
- At minimum height, distance between legs is 47.6"
- At maximum height, distance between legs 78.74"
- Adjustment achieved by sliding telescopic legs
- Locking pins attached by stainless steel cables
- Two eye-bolts in the head, for securing other PPE

**LOAD CAPACITY:**

- 310 lbs

**TRIPOD LEGS:**

- Material: Prime Aluminum Alloy
- Finish: Anodized

**WEIGHT:**

- 50lbs +/-0.22lbs

**HEAD:**

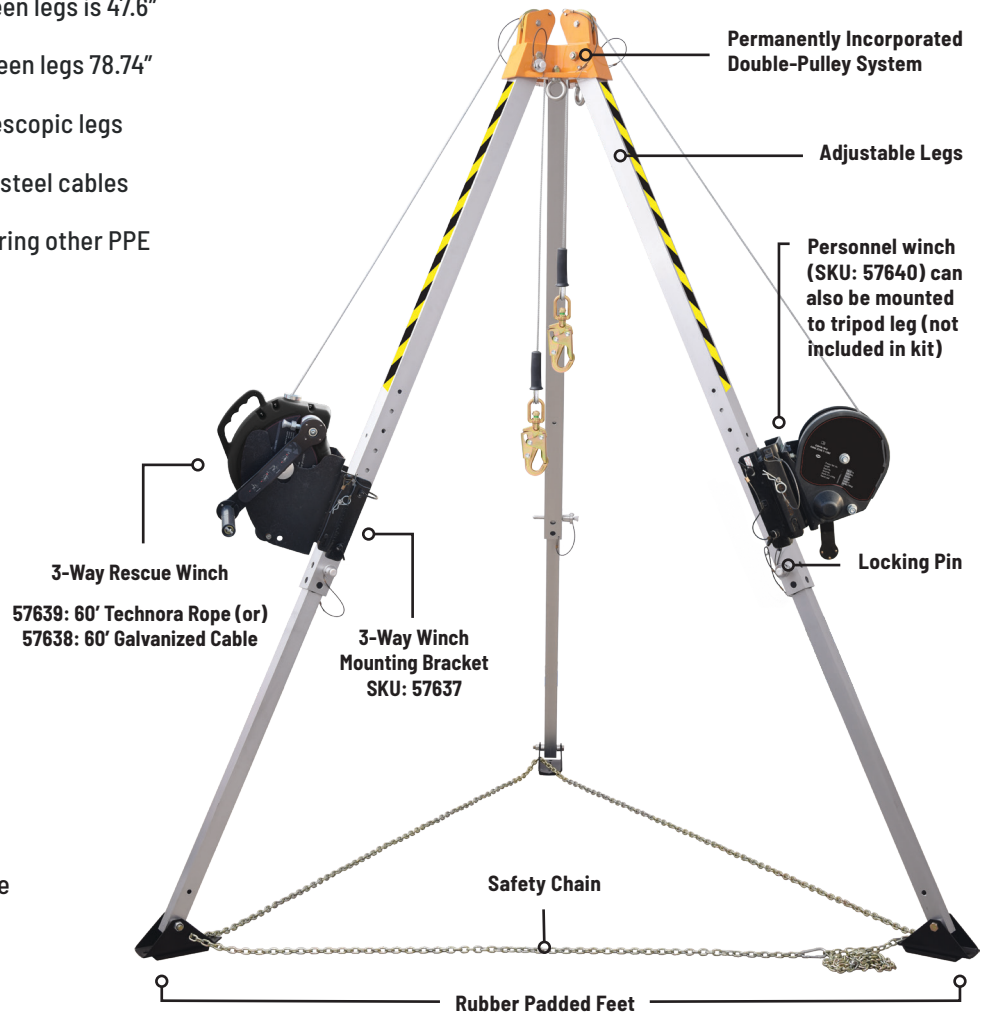
- Material: Prime Aluminum Alloy
- Finish: Powder coated

**LOCKING PINS:**

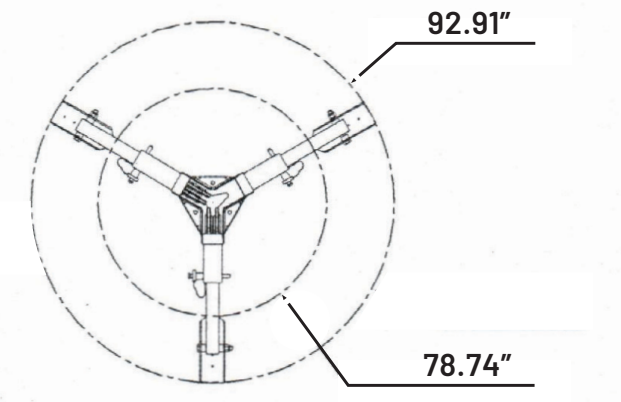
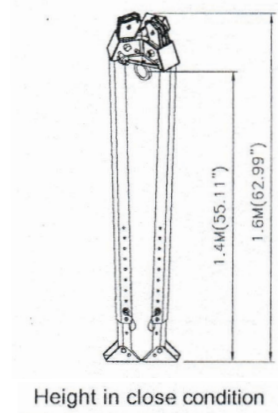
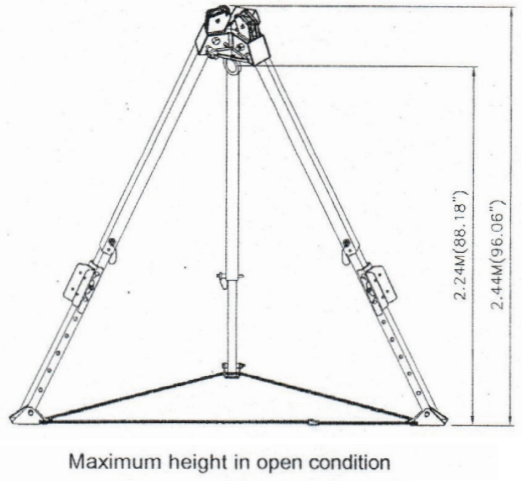
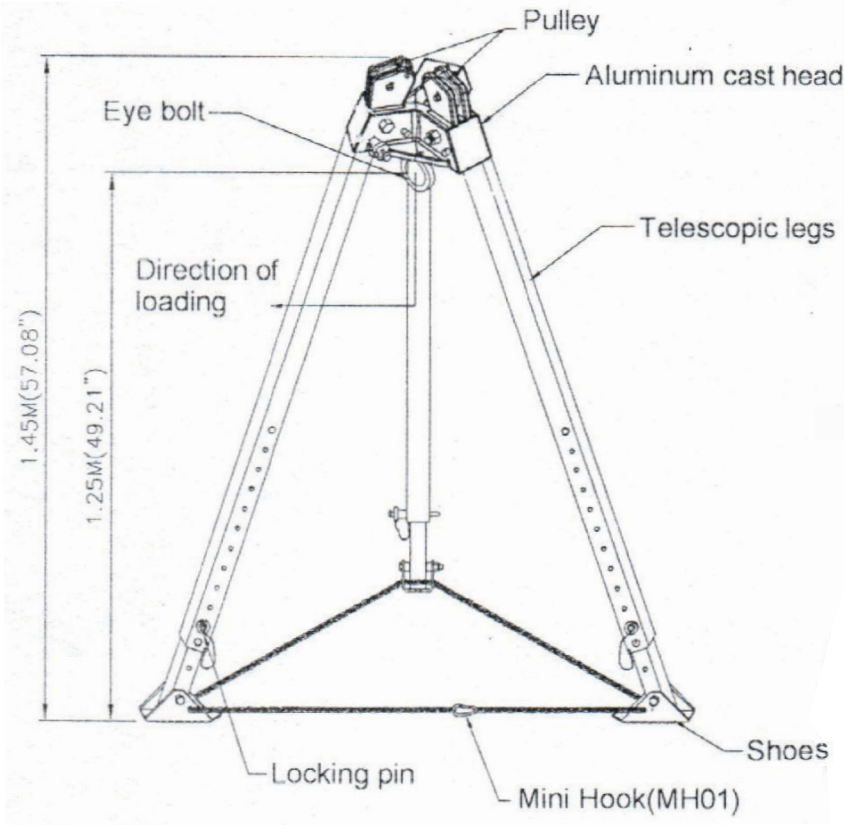
- Material: Prime Aluminum Alloy Eye Bolt & Stainless Steel Locking Pin
- Finish: De-burred & polished

**VITAL TEST COMPLIANCE WEIGHT:**

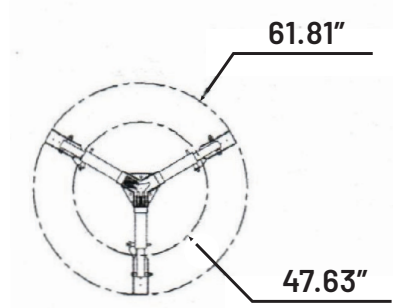
- Strength Min: 5000 lbs



# 7' MEGAPOD KIT WITH DOUBLE-PULLEY HEAD



Foot Print Diameter at Maximum Height



Foot Print Diameter at Minimum Height